



WWW.TEAMAMSC.CO.IN

AMSC.
ABLAZE MOTORSPORTS CLUB

Presents

AMSC
DIRTPRIX-8
MANGLORE

Witness the Fastest Cars and Boldest Drivers in Action

amsc
ABLAZE MOTORSPORTS CLUB

fmsci
The Federation of Motor Sports Clubs of India

ablazemotorsports
www.teamamsc.co.in

15th & 16th FEB

9740436403, 8904553666
info@teamamsc.co.in

Name of the event	AMSC – DIRTPRIX Time Attack
Start Date of the event	15/02/2025
End Date of the event	16/02/2025
Status of the event	OPEN
Category	4W
Name of the Organizer	ABLAZE MOTORSPORTS CLUB
Address	SUBBANAYAKA STREET FORT, CHIKAMAGALUR-577101
Phone	9740436403
Email	info@teamamsc.co.in
Website	www.teamamsc.co.in
In Association with (if any)	
Name of the Organizer	MANGLORE MOTORSPORTS ASSOCIATION
Address	MANGLORE
Phone	
Email	
Website	

Supplementary Regulations

Approved by



WARNING

MOTORSPORT CAN BE DANGEROUS. DESPITE ORGANIZERS TAKING ALL POSSIBLE PRECAUTIONS UNAVOIDABLE ACCIDENTS MAY HAPPEN. YOU ARE PRESENT HERE AT YOUR OWN RISK.

TABLE OF CONTENTS

1. INTRODUCTION	4
2. ORGANIZATION	4
3. PROGRAMME	5
4. ENTRIES	6
5. INSURANCE	7
6. ADVERTISEMENT AND IDENTIFICATION	7
7. ADMINISTRATIVE CHECKS	8
8. PRE-EVENT SCRUTINEERING, SEALING AND MARKING	9
9. IDENTIFICATION OF OFFICIALS	9
11. PRIZES	9
12. PROTEST & APPEAL	9
13. RUNNING OF THE EVENT	9
14. PENALTIES	10
15. SAFETY REQUIREMENTS	11
NAMES AND PHOTOGRAPHS OF CRO'S	15

1. Introduction

1.1 **Time Attack** is run in compliance with the 2025 International Sporting Code of the Federation Internationale de l' Automobile (FIA) and these specific Supplementary Regulations (SRs).

The Federation of Motor Sports Clubs of India (FMSCI) is the National Sporting Authority (ASN) of FIA in India. The **Time Attack** will be held in accordance with the Sporting and Technical Regulations of the **2025 Time Attack Sporting Regulations** of the FMSCI and the Specific Supplementary Regulations (SR) stated herein.

Modifications, amendments and / or changes to these SRs will be announced only by numbered and dated bulletins, issued by the organizers, approved by the FMSCI or Stewards.

1.2 Acquaintance with and submission to Rules

Every person, or group of persons, organizing a competition or taking part therein

- Shall be deemed to be acquainted with all the relevant rules and regulations of the FMSCI
- All competitors must sign the indemnity and declaration form, which are enclosed with the Entry Form
- These are conditions precedent attached to the submission of entries and taking part in an event and all competitors participating shall be bound by them and also the rules and regulations hereinafter set out or amendments made thereto.
- Shall undertake to submit themselves without reserve to the above and to the decision and consequences resulting therefrom.

2. Organization

2.1 **FMSCI Permit No./s:**

2.2 **Organizers name, address and contact details**

ABLAZE MOTORSPORTS CLUB
SUBBANAYAKA STREET FORT, CHIKAMAGALUR-577101
9740436403
info@teamamsc.co.in

2.3 **Managing Committee**

GOUTHAM C P	DHANUSH C P	SHARAN SOMAIAH
YADHU KUMAR	SANJAY URS	VINAY N S
ABHISHEK URS	POORNACHANDRA	SHASHANK
KUSHAL	PAVAN B J	GOUTHAM Y R

2.4 **Organizing Committee**

SUDHIR B K	BABU	MALLIKARJUN
MADAN SHAIVA	GAGAN	PRATHIK
MADAN D GHOSHAL		

2.5 FMSCI Officials

Chief Steward	Lancelot Saldanha
Club Steward	SHARAN SOMAIAH
Club Steward	VINAY N S
Chief Scrutineer	SIDDHARTH Y.J.

2.6 Senior Officials

Clerk of the Course	GOUTHAM C P
Assistant Clerk of the Course	ABHISHEK URS
Secretary of the Meet	GOUTHAM C P
Chief Safety Officer	MADAN D
Chief Medical Officer	TBA
Chief Timekeeper	JAGANNATH
Competitors Relations Officer	DHANUSH C P
Media Relations Officer	SHASHANK
Results Co-ordinator	POORNA CHANDRA
Sustainability Officer	Goutham C P 8904553666

2.7 Location of HQ

From:

Day	DD / MM / YYYY	Time (hrs)	Venue
SATURDAY	15-02-2025	1000HRS	GOLDFINCH CITY MANGLORE

To:

SUNDAY	16-02-2025	1900HRS	GOLDFINCH CITY MANGLORE
--------	------------	---------	-------------------------

3. Programme

SATURDAY 15-02-2025	
Time	Details
10:00 - 17:00 hrs	Documentation
Sunday 16-02-2025	
Time	
07:00	Documentation and scrutiny
07:00 – 08:15 hrs	WALKING RECCE
08:15 – 08:30 hrs	DRIVERS BRIEFING
08:30 – 08:45 hrs	Stewards Meeting
08:45 hrs	Course car starts and line up as per the classes
09:00hrs	First car starts
18:00 hrs	Provisional results
18:30-19:00 hrs	Final Steward's Meeting
19:00-19:15 hrs	Final Results followed by podium

4. Entries

4.1 Opening and Closing Dates

Entries open with the publication of these Supplementary Regulations
Closing date of all entries: 14-02-2025 @ 21:00 hrs

4.2 Entry Procedure

Those wishing to take part in the event must fill in their form online on our official website www.teamamsc.co.in and submit it before the close of entries

4.3 Maximum number of Entries

The maximum number of entries accepted would be no more than 150. If more entries are received, then the organizers reserve the right to decide which entries would be accepted.

4.4 Groups & Classes & Entry Fees

<input checked="" type="checkbox"/> Group: Amateur/ INTERMEDIATE	
Class	Entry Fees
<input type="checkbox"/> Class 1: Amateur Up to 1100 cc INAC 2	4000
<input type="checkbox"/> Class 2: Amateur Up to 1400 cc INAC 2	4000
<input type="checkbox"/> Class 3: Amateur Up to 1650 cc INAC 2	4000
<input type="checkbox"/> Class 4: Amateur Up to 3000 cc INAC 2	4000
<input type="checkbox"/> Class 5: Amateur Open (New Drivers) INAC 2	4000
<input type="checkbox"/> Class 6: Street Stock	4000

<input checked="" type="checkbox"/> Group: Professional	
Class	Entry Fees
<input type="checkbox"/> Class 7: Pro Up to 800 cc INAC 2	
<input type="checkbox"/> Class 8: Pro Up to 1100 cc INAC 2	4000
<input type="checkbox"/> Class 9: Pro Up to 1400 cc INAC 2	4000
<input type="checkbox"/> Class 10: Pro Up to 1650 cc INAC 2	4000
<input type="checkbox"/> Class 11: Pro Up to 3000 cc INAC 2	4000
<input type="checkbox"/> Class 12: Ladies (2W/4W) INAC 2	4000
<input type="checkbox"/> Class 13: UNRESTRICTED Open INAC 1	4000
<input type="checkbox"/> Class 14: SUV/Compact SUV/MUV open INAC 3	4000
<input type="checkbox"/> Class 15: Diesel Open	4000
<input type="checkbox"/> Class 16: AMSC Open	4000
<input type="checkbox"/> Class 17: Star of Karnataka	4000
<input type="checkbox"/> Class 18: King of Coast (Mangaluru open)	4000
<input type="checkbox"/> Class 19: Gypsy Open	4000
<input type="checkbox"/> Class 20: Old Monster (cars below 2008 model)	4000

Amateur drivers can take part in the pro category provided the Safety Regulations as stated in these Supplementary Regulations are met	

Prizes

<input checked="" type="checkbox"/> Group: Amateur/ Professional	
Cash Prizes and Trophy	
<input type="checkbox"/> Winner	7000/-
<input type="checkbox"/> 1 st runner up	5000/-
<input type="checkbox"/> 2 nd runner up	3000/-

Minimum 8 cars 1st prize with cash,9 cars 1-2 prize with cash,10 cars 1-2-3 prize with cash if less than that only trophy will be awarded.

4.5 Payment

The entry fees can be either by UPI favour of “ABLAZE MOTORSPORTS CLUB” payable at CANARA BANK -Acc no: 4870201000079 IFSC: CNRB0004870 or by cash or by wire transfer.

4.6 Refund

Entries fees will be refunded in full only

- To candidates whose entry has not been accepted
- In case of event not taking place

The organizers may refund 50% of the entry fee to those competitors who, for reasons of force-majeure (duly accepted by the organizing committee) were unable to start in the event.

5. Insurance

Organizers holding a valid 2025 FMSCI Permit for an event are covered for :

Competitors: A maximum of 250 competitors with valid FMSCI Competition License participating in various events across the Country on a given day are covered for Personal Accident Insurance for Rs. 5 lakhs with Rs. 1 Lakh medical expense extension per person.

Officials: A maximum of 100 officials officiating in various events across the Country on a given day are covered for Personal Accident Insurance for Rs.25 lakhs with Rs.5 lakhs medical expense extension per person.

THESE INSURANCES ARE ISSUED BY UNITED INDIA INSURANCE COMPANY LTD AND VALID DURING THE RUNNING OF THE EVENT ONLY. ORGANIZERS / COMPETITORS ARE ADVISED TO TAKE ANY ADDITIONAL INSURANCES THEY MAY DEEM FIT. CONTACT: S.MANIKANDAN@STENHOUSE.IN

6. Advertisement and Identification

- 6.1 It is compulsory to carry organizers advertisement on the competing vehicles.
- 6.2 Competitors are allowed to affix any kind of advertisements on their vehicle provided that
- Any instructions issued by the organisers are observed.
 - It is authorized by the National laws and FMSCI regulations
 - Advertising must not be of a political, obscene or insulting nature. It must be in good taste and not conflict with the vehicle's official numbers in any way
 - It should not be placed as to prevent recognition by Officials or Marshals.
 - The space designated in Appendix '4' of the General Prescription is left free of advertising other than that provided by the organisers.
 - If it does not encroach upon the spaces reserved for rally plates, number plates and windscreen strips,
 - It does not interfere with the driver's vision through the windows.
- 6.3 The organisers will supply each crew with identification plates comprising: 2 panels carrying the race number termed COMPETITION NUMBERS. They will incorporate the race number, the name of the event and if appropriate the name of the organisers' main sponsor. They will be available as stickers.
- Competitors taking part in the both the races may elect to keep the same competition number throughout the event. In this case, a written request must be made to the organiser and a written acceptance taken.
 - Throughout the duration of the Event, the plates must be affixed in conformity of the supplementary regulations. In no case should they cover, even partially, the vehicle's licence plates.
 - The numbers plates must appear on both sides of the vehicle and be clearly visible during the entire event.
 - At any time during the event, the absence or incorrect positioning of a race number plate may result in a penalty upto a maximum of INR 1,000/-.
 - The competitor will be recognisable by means of an identification tag. It must carry the competitors photograph, name & blood group. Any breach noted by an official will result in a cash penalty upto a maximum of INR 1,000/-.

7. Administrative checks

7.1 Documents Submission

Entrants should produce the following for inspection at the time of submitting the vehicle for pre-event scrutiny and administrative check on the date / time as mentioned in Art.3.

Competitors are required to bring:

- Minimum requirement is FMSCI One event License @ Rs.250/- . All FMSCI licences can be applied online from the link lic.fmsci.co.in**
- 1 Passport size photographs

Competitors are required to carry all the above documents throughout the event. All the documents shall be valid for the date of the event.

8. Pre-event Scrutineering, Sealing and Marking

8.1 Venue & Timings

Place: Gold Finch City Mangalore

Date: 16-02-2025

Time: 07:00 HRS

9. Identification of Officials

Safety Marshal	Orange
Safety Officer	Orange with white stripe and text
Post Chief	Blue with white stripe and text
Media	Green
Stage Commander	Red with text
Competitor Relations Officer	Red Jacket or Red Tabard
Medical	White
Radio	Yellow with blue mark
Scrutineer	Black

11. Prizes

All classes will receive Trophies for the top 3 finishers

Fastest driver of the day trophy

Best tuner of the day trophy

12. Protest & Appeal

12.1 LODGING A PROTEST OR APPEAL

All protests and / or appeals must be lodged in accordance with the stipulations of Articles 13,14 and 15 of the Code.

12.2 PROTEST FEES

12.2.1 For Closed, Closed Invitation and Open Events, the protest fees is ₹7,080/= (Rupees Seven Thousand Eighty Only) (₹6,000/= +₹1080 GST)

12.2.2 If a protest requires the dismantling and re-assembly of a clearly defined part of the car any additional deposit must be specified in the Supplementary Regulations– or will be specified by the Stewards upon a proposal of the FMSCI Technical Delegate / Chief Scrutineer.

12.2.3 If the protest is overruled or it is withdrawn after being brought, no part of the fee shall be returned. (Article 13.10.1 of FIA International Sporting Code)

12.2.4 If it is proved that the author of the protest has acted in bad faith, the FMSCI may inflict upon them one of the penalties laid down in the Code. (Article 13.10.3 of sporting code)

12.3 APPEALS

- Competitors may appeal against decisions, in accordance with the stipulations set out in Articles 15.1 of the Code.

- Competitors have the right to appeal against a sentence or other decisions pronounced on them by the Stewards of the meeting. They must, however under pain of forfeiture of their right to appeal, notify the Stewards of the Meeting in writing within one hour of the publication of the decision, of their intention to appeal
- The right to bring an appeal to the FMSCI expires 96 hours after the date of the decision of the Stewards of the event on condition that the intention of appealing has been notified in writing to the Stewards of the event within one hour of the decision (see previous paragraph). This appeal may be brought by fax or by any other electronic means of communication with confirmation of receipt. Confirmation by a letter of the same date accompanied by the necessary fee is required. The FMSCI will give its decision within a maximum of 30 days.
- All parties concerned shall be given adequate notice of the hearing of any appeal. They shall be entitled to call witnesses, but their failure to attend the hearing shall not interrupt the course of the proceedings.
- The confirmation of an appeal to the FMSCI must be accompanied by fee of ₹113,280/= (Rupees One lakh thirteen thousand two hundred eighty only).
- This fee becomes due from the moment the appellant notifies the Steward of the intention of appealing and remains payable even if the appellant does not follow up the declared intention to appeal.
- If the appeal is rejected or it is withdrawn after being brought, no part of the fee shall be returned.
- If judged partially founded, the fee may be returned in part, and in its entirety if the appeal is upheld.
- If it is proved that the author of the appeal has acted in bad faith, the FMSCI may inflict upon them one of the penalties laid down in the Code.

13. Running of the Event

- The event will be run on electronic timing devices (Infrared beam).
- There will be a track walk in the morning followed by the final run
- The fastest time taken in the class will be declared the winner.
- Failure to produce start card, will not be allowed to take a start.
- Event will be run class wise, if you are not present when your class is called, you will not be given a start.

14. Penalties

REASONS	START REFUSED	DISQUALIFY	PENALTY	DNF
Entry Fees not Paid	Yes			
Documentation Incomplete		Yes		
Not carrying advertisements as pre article 12.7	Yes			
Inability to produce Race Card at start	Yes			
Late sign-in on qualifying morning			Cash Fine of Rs: 750/-	
Scrutineering				
No seat belts		Yes		
Seats Not Fixed Properly		Yes		

Head Lights Not working		Yes		
Bad Tyres and Brakes		Yes		
Loose items in car	Yes			
Missing Helmet		Yes		
Helmet not strapped properly	Yes			
Driver side Window not closed		Yes		
Not wearing gloves			Cash fine of Rs: 2,000/-	
Late at Start by 5 minutes		Yes		
Over speeding or doing unsafe practice rounds in and around Auto - cross premises/ roads		Yes		
Unsporting Manner		Yes		
Identification Marks		Yes		
Fraud		Yes		
Travel in opposite direction		Yes		
Car unable to start within 20 secs at start line		Yes		
Over speed after stop finish line		Yes		
False Start (upto 2 secs)				
1 st Offense			5 secs	
2 nd Offense			10 secs	
3 rd Offense		Yes		
False start more than 2 secs		Yes		
Missing/ Displacement of a / slalom marker marked by a different colour/per marker			5 secs	
Breach of track			5 secs	
Leaving track & gaining unfair advantage		Yes		
Unauthorised driver		Yes		
Hitting time control/timing equipment or marshal stations		Yes	Cost of timing equipment as decided	

15. Safety Requirements

DRIVERS SAFETY:

Specific Technical Regulations for Time attack: Group Amateur (For all classes)

Definition:

Amateur drivers are drivers who have not placed within overall top 10 for the last 10 FMSCI approved events. For Amateur open only for beginners or who have never won any placements in any events. It is the competitor's responsibility to declare his/her status

No driver will be allowed to take part in any official practice, qualifying or race unless they have the following:

- Driver should wear suitable clothes; Shorts are not permitted. A Driving Suit is recommended
- During the event, all drivers participating should wear a Branded ISI (minimum) marked Safety Helmet and a proper seat belt. The helmet chin strap should be securely fastened while competing.
- Footwear should be such that shoes covering the entire foot shall be worn.
- All loose items, inside and outside the car, must be removed. Handheld items, such as but not limited to, cameras and cell phones are considered loose items.
- The Driver side windows must remain at least three quarters closed during his run.

VEHICLE COMPLIANCE

Specific Technical Regulations: Group – Amateur (all classes)

- A vehicle will not be allowed to start unless it conforms to the safety requirements detailed below
- Minimum 3-point Seat belts as provided by the manufacturer are mandatory.
- Tyres must be in good condition, with no cord or belts showing or cracks in the tread or sidewall.
- Throttle return action shall be safe and positive.
- No excessive fuel, oil, water or brake fluid leaks should be observed when the engine is running.
- Steering “spinner” knobs shall not be permitted and mechanical components like wheel bearings, shocks, steering and suspension shall be in good operating condition.
- Pedal operation must not be impeded. Driver’s side floor mat must be removed unless securely mounted. OE fasteners designed to prevent the mat from moving forward satisfy this requirement if they are in good working order.
- Wheels must be safely affixed. They shall not be reversed so that the lughole taper does not mate with the chamfer of the lugs. All studs and lug nuts must be present and functional.
- Vehicles must have a means of access on either side of the Passenger compartment which can be operated from inside or outside. Access must be sufficient to remove an occupant without interference from any door locking devices
- Cars with turbo will have a multiplication factor of 1.5 and 1.7 for petrol and diesel respectfully.
- The extent of modifications in the Amateur class is limited to the following
 - Intake/Exhaust and Suspension are **FREE**.
 - Lubricants are free.
 - OE Body kits, front lip spoilers, Boot/roof spoilers are allowed
 - Wheel Rim, size free. Provided they are made of steel or Aluminium.
 - The wheel tyre combination should not protrude beyond the perimeter **of the car when viewed vertically from top above the centre line of the wheel. Tyres are FREE**
 - Steering wheel is free, but spinner knobs are not allowed.
 - Gear knob is free, but the lever is not.
 - Accelerator/brake and clutch pedal covers are free.
 - Spare wheel may be removed from the car.
 - OE seatbelts, seats are permitted
 - ⊖ **ECU/ECU’s/Piggyback are free.**
 - **Air Filter is FREE**

Group Professional (Pro) (For all classes)

- Vehicles participating in the pro classes is recommended to be equipped with 4-point seat harness and a roll cage.
- **The Driver door should be OE and it should be possible to open the passenger door both from inside and outside.**

EVENT SAFETY

SAFETY Ambulance:

Minimum well equipped 1-trauma care ambulance with doctors can transport the injured to a nearby hospital.

Barricading:

All spectator areas should be well cordoned off. None other than the competitors, pit /service crews and officials shall be present in the pits and other race areas.

Fire Tender & Fire Extinguishers:

A fully equipped fire tender should be present during official practice and races. Adequate number of fire extinguishers should be placed at parc ferme, pits and Marshall Posts at the track. In case a fire – tender is not available; the Stewards can inspect the available number of extinguisher's and give the go ahead if they feel it is adequate.

Communication:

Wireless Communication is a must between officials, post marshals and ambulances.

Security:

Enough security sons should be deployed to control the crowd from entering into the pits and racetrack.

Track details:

Type: Gravel

Length: The total track length is approx. 1000 meters

Specifications:

- The longest straight of the track does not cross 75 mtrs.
- The average speed of the track is less than 55 KMPH
- The track is well laid with tire barriers forming the track with enough runoff areas at corners.
- There is a separate spectator lounge, and no one is allowed on the track apart from the organizing team.

Track Layout

TBA

Names and photographs of CRO's



Dhanush C P
+91 9740436403

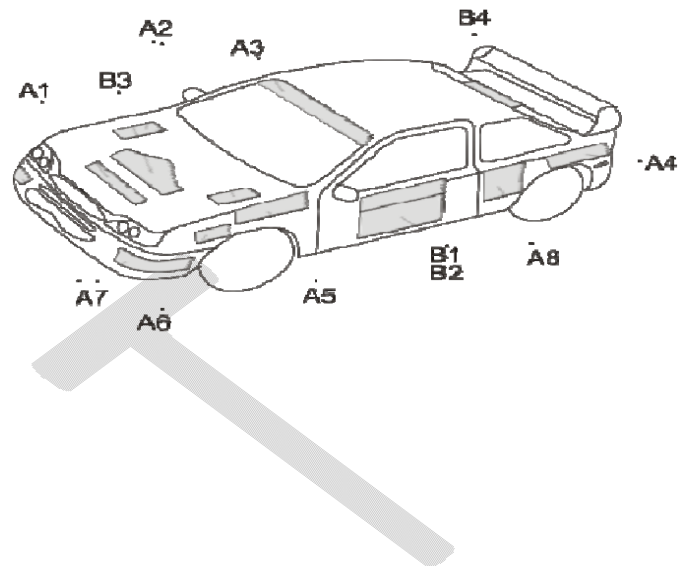
Will be present at:

- At the Secretariat.
- At the start of the scrutineering.
- Near the "PIT AREA".

SAFETY will always be our priority

NOTES / WAIVERS

APPENDIX 1: COMPETITION NUMBERS & ADVERTISING



- A1 : TBA
- A2 : Club/Sponsor
- A3 : Sponsor
- A4 : Sponsor
- A5 : TBA
- A6 : TBA
- A7 : TBA
- B1 ~ B3: Competition Number

Appendix IV.

To All Participants

We, the organisers of the DirtPrix, follow the FMSCI Sustainability Guidelines, the FIA Guide to Sustainable Events and the FIM Environmental Code, to the best of our abilities, for the future of our sport, and to respect nature and the environment. We ask you to use an environment mat or other approved system while servicing or refuelling to prevent spillage of oil and fuel into the ground. Use the oil collection containers available in the pits when disposing of used oil. Bring refillable water bottles. Use waste bins for all rubbish. Please leave your pits/ service area clean, so that there is no trace of your activity. Not leave used tyres or parts behind. Dispose of them correctly. Download the FIA Smart Driving Challenge App to evaluate your CO2 emissions. Please help us make our sport clean and environmentally friendly.

**** END ****

Note: For further queries regarding the guidelines, please contact the Chairperson, Environment and Sustainability Commission, Anita Nanjapa on +91 9442158283